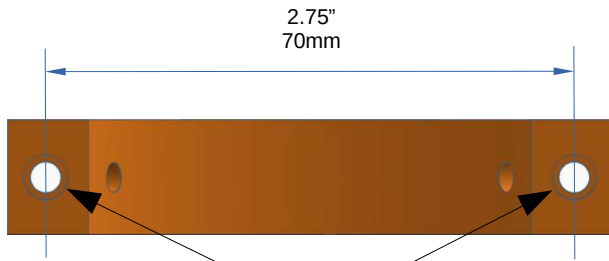
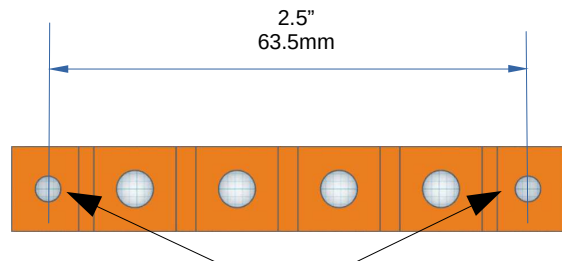


Drill Templates #2 (print at actual size)



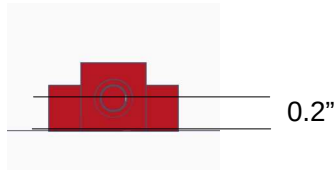
1/8"
3.2mm

SAC-00110
Bay Adapter



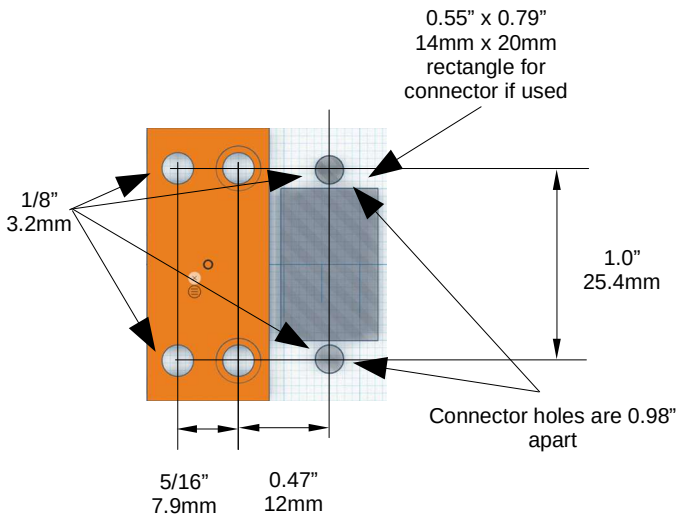
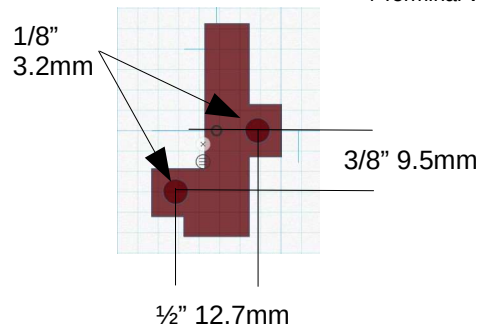
1/8"
3.2mm

WB4TM-00111
4 Terminal Wiring Block



0.2"

LPS-00115
Low Profile Switch



5/16"
7.9mm

0.47"
12mm

SBR-00113
Platform Brackets