

2

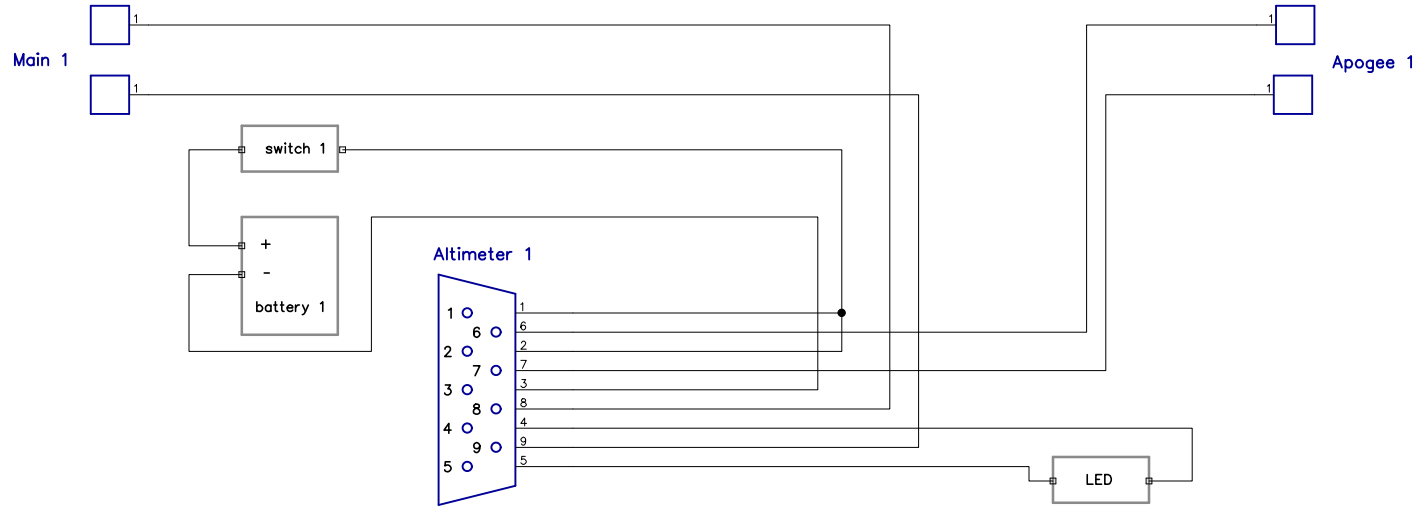
1

B

B

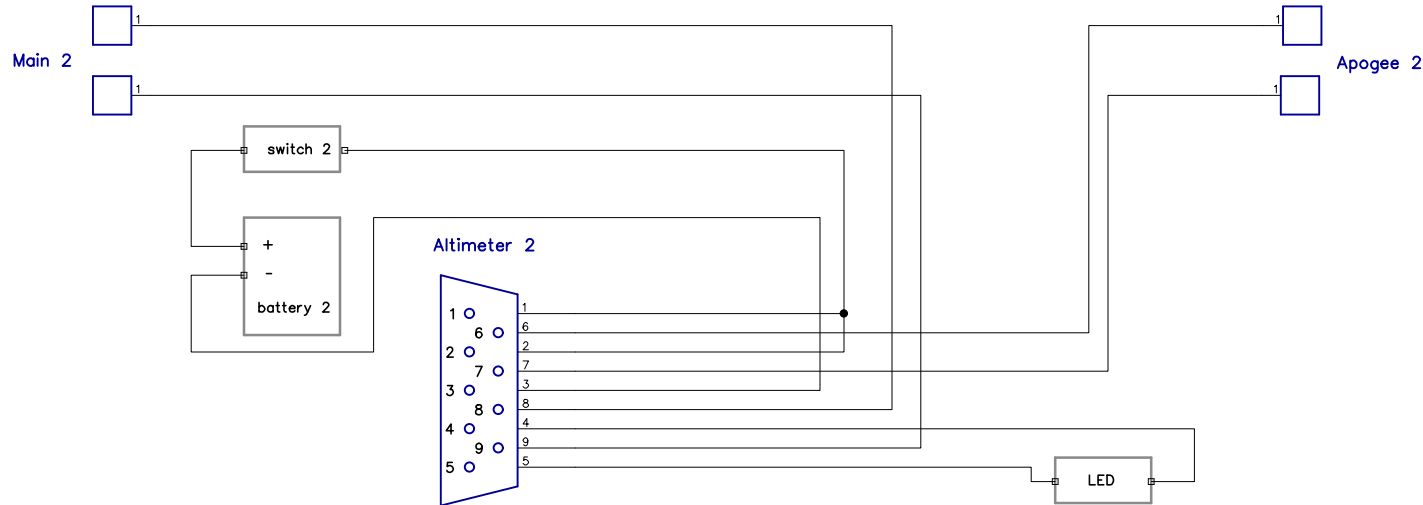
A

A



Primary Altimeter 1 Wiring

Name	Pin #	Color
V+ Altimeter	1	Red
V+ Pyro	2	White
Gnd	3	Black
Status/IO 1	4	Violet
Status/IO 2	5	Gray
Apogee+	6	Yellow
Apogee-	7	Yellow
Main+	8	Blue
Main-	9	Blue



Secondary Altimeter 2 Wiring

Name	Pin #	Color
V+ Altimeter	1	Red
V+ Pyro	2	White
Gnd	3	Black
Status/IO 1	4	Violet
Status/IO 2	5	Gray
Apogee+	6	Orange
Apogee-	7	Orange
Main+	8	Brown
Main-	9	Brown

Note: altimeters may not suport a LED indicator

Rev	Date	Title
A	6/23/2018	Redundant Dual Deployment Bay Connector Wiring
		Standard Rocketry Components
Steve Thatcher		
Copyright SMT Designs 2017-2018		

2

1