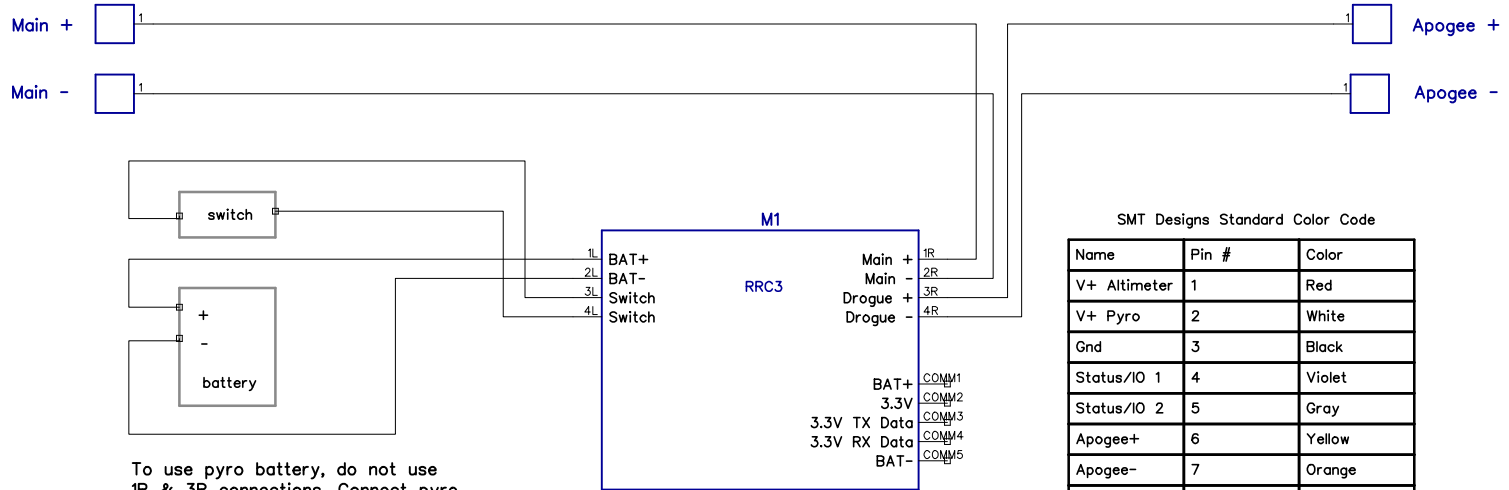


2

1

B

B



To use pyro battery, do not use 1R & 3R connections. Connect pyro charges to Main - & Apogee - and 2nd battery through an additional switch.

Note: hole pattern 11/16" x 3-21/32" and board size is 0.925" x 3.92"

Requires bottom clearance

To use pyro battery, do not use 1R & 3R connections. Connect pyro to 2nd battery through a switch.

SMT Designs Standard Color Code

Name	Pin #	Color
V+ Altimeter	1	Red
V+ Pyro	2	White
Gnd	3	Black
Status/IO 1	4	Violet
Status/IO 2	5	Gray
Apogee+	6	Yellow
Apogee-	7	Orange
Main+	8	Blue
Main-	9	Brown

A

A

2

1

Rev	Date	Title
A	6/28/2018	RRC3 Bay Wiring
		Standard Rocket Components
Steve Thatcher		
Copyright SMT Designs 2017-2018		