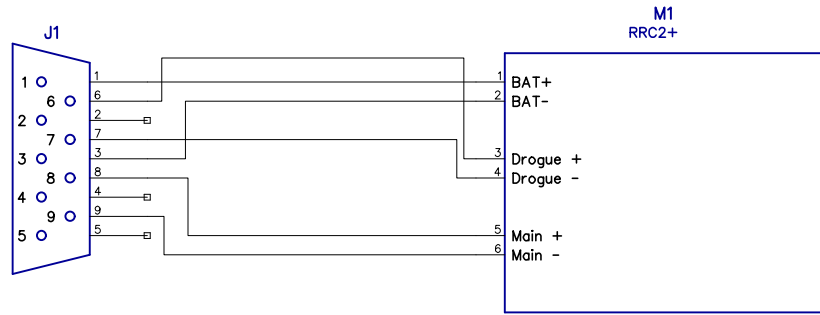


2

1

B

B



Note: hole pattern 2.0" and board size is 0.93" x 2.28"

Requires 1/8" bottom clearance

SMT Designs Standard Color Code

Name	Pin #	Color
V+ Altimeter	1	Red
V+ Pyro	2	White
Gnd	3	Black
Status/IO 1	4	Violet
Status/IO 2	5	Gray
Apogee+	6	Yellow
Apogee-	7	Orange
Main+	8	Blue
Main-	9	Brown

A

A

2

1

Rev	Date	Title
A	6/28/2018	RRC2+ Sled Connector Wiring
		Standard Rocket Components
Steve Thatcher		
Copyright SMT Designs 2017-2018		