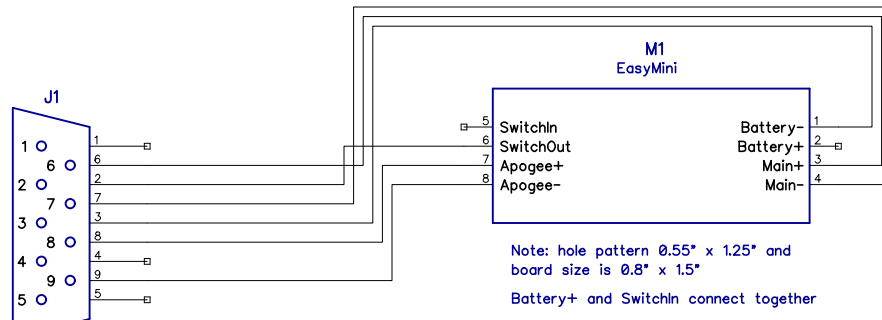


2

1

B

B



Note: EasyMini does not isolate altimeter power and pyro power. Altimeter power is taken from Pyro power on pin 2.

Note: hole pattern 0.55" x 1.25" and board size is 0.8" x 1.5"

Battery+ and SwitchIn connect together

SwitchOut connects to internal v\_bat, Apogee+, and Main+

External power needs to be applied to SwitchOut and Battery- terminals

SMT Designs Standard Color Code

Name	Pin #	Color
V+ Altimeter	1	Red
V+ Pyro	2	White
Gnd	3	Black
Status/IO 1	4	Violet
Status/IO 2	5	Gray
Apogee+	6	Yellow
Apogee-	7	Orange
Main+	8	Blue
Main-	9	Brown

A

A

Rev	Date	Title
B	6/23/2018	AltusMetrum EasyMini Sled Connector Wiring
		Standard Rocketry Components
Steve Thatcher		
Copyright SMT Designs 2017-2018		

2

1