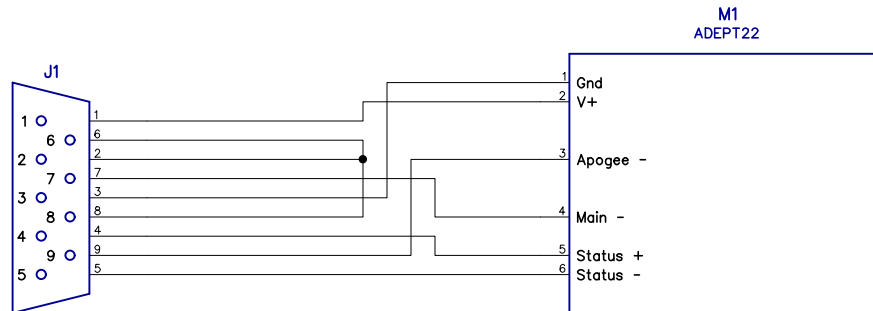


2

1

B

B



Note: ADEPT22 supports separate altimeter and Pyro power. Sled should have power applied on both pins 1 and 2

Note: hole pattern 0.7" x 2.0" and board size is 0.9" x 2.8"

Apogee + and Main+ connect to V+ for normal operation

Status +/- is a special mod done by Adept Rocketry for SMT Designs

SMT Designs Standard Color Code

Name	Pin #	Color
V+ Altimeter	1	Red
V+ Pyro	2	White
Gnd	3	Black
Status/IO 1	4	Violet
Status/IO 2	5	Gray
Apogee+	6	Yellow
Apogee-	7	Orange
Main+	8	Blue
Main-	9	Brown

A

A

Rev	Date	Title
B	6/23/2018	ADEPT22 Sled Connector Wiring
		Standard Rocket Components
Steve Thatcher		
Copyright SMT Designs 2017-2018		

2

1